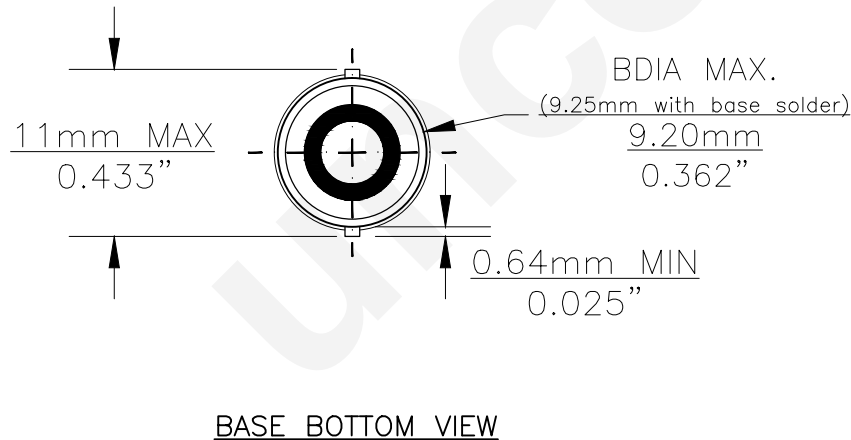
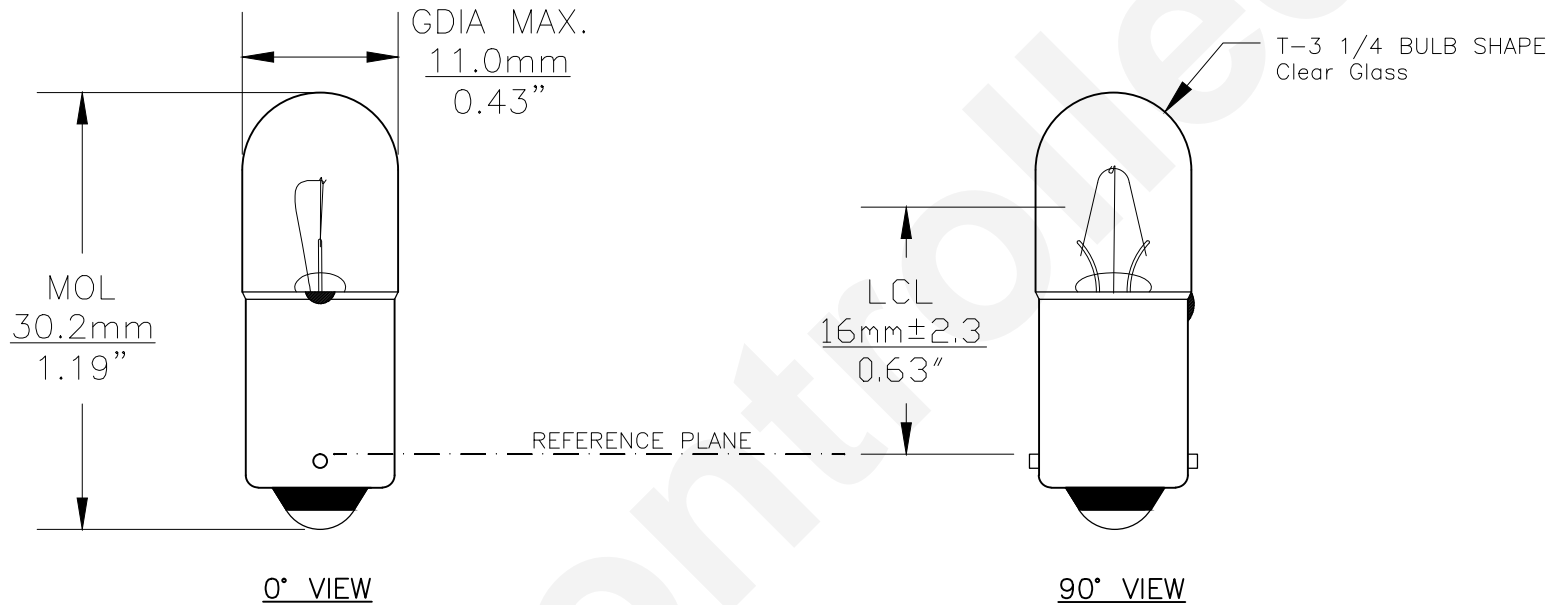




PART NO.	BASE TYPE	DESIGN VOLTS	DESIGN AMPS	MSCD	FILAMENT TYPE	AVERAGE LIFE HOURS	REVISIONS			
							REV #	DESCRIPTION	DATE	APPROVED
1488	MINIATURE BAYONET (BA9s)	14.0V	0.15±15%	1.5±20%	C-2V	200	1	ISSUED	10/29/2008	D.C.
							2	ADDED 0° VIEW & BASE BOTTOM VIEW	04/01/2016	R.M.



Note: Made according to SAE specifications

UNLESS OTHERWISE SPECIFIED: DIMENSIONS ARE IN INCHES TOLERANCES		CEC INDUSTRIES LTD			
DECIMALS .XX ± .05		599 BOND STREET		LINCOLNSHIRE, IL 60069	
ANGULAR .XXX ± .010		TITLE LIGHT BULB NO. 1488			
FRACTIONAL ±1/64		DATE 10/29/2008	SIZE A	DWG NO. 1488	REV 2
DRAWN D. C.	CHECKED	DESIGN	SCALE	PLOT SCALE	SHEET 1 OF 1
MATERIAL		FILE 1488.pdf	DRAWING NOT TO SCALE		