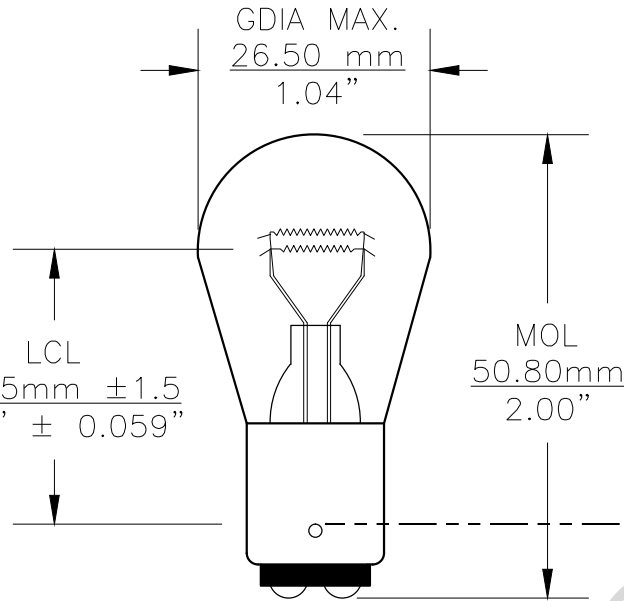


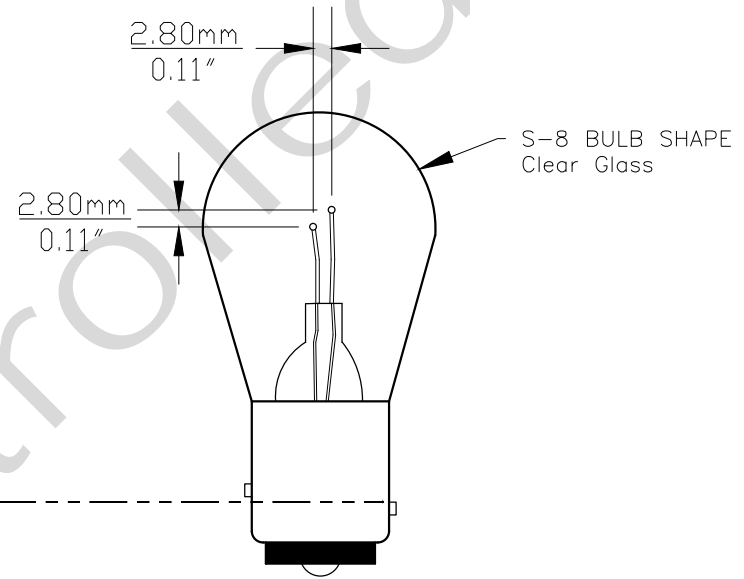


Since 1959

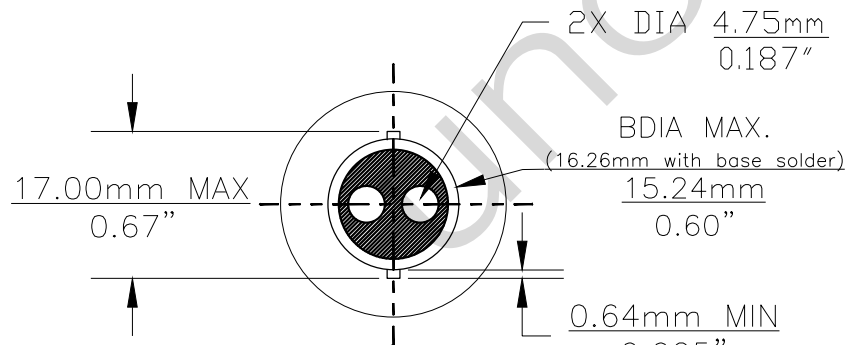
PART NO.	BASE TYPE	DESIGN VOLTS	DESIGN AMPS	MSCD	FILAMENT TYPE	AVERAGE LIFE HOURS	REVISIONS			
							REV #	DESCRIPTION	DATE	APPROVED
1157LL	D.C. INDEX BAY15d	12.8V 14.0V	2.1±5% 0.59±8%	32±10% 3±12%	C-6 C-6	2400 10000	1	UPDATED LIFE HOURS	02/15/2005	D.C.



0° VIEW



90° VIEW



BASE BOTTOM VIEW



Note: Made according to SAE specifications

UNLESS OTHERWISE SPECIFIED: DIMENSIONS ARE IN INCHES TOLERANCES		CEC INDUSTRIES LTD			
DECIMALS	ANGULAR	599 BOND STREET		LINCOLNSHIRE, IL 60069	
.XX ± .05	± 0.5°	TITLE LIGHT BULB NO. 1157LL			
.XXX ± .010		SCALE A	FSCM NO.	DWG NO. 1157LL	REV 1
FRACTIONAL	± 1/64	DESIGN	PLOT SCALE	SHEET 1 OF 1	
DRAWN SIDNEY LIU		DATE 06/12/2001	MATERIAL		
CHECKED		FILE 1157LL.pdf	DRAWING NOT TO SCALE		