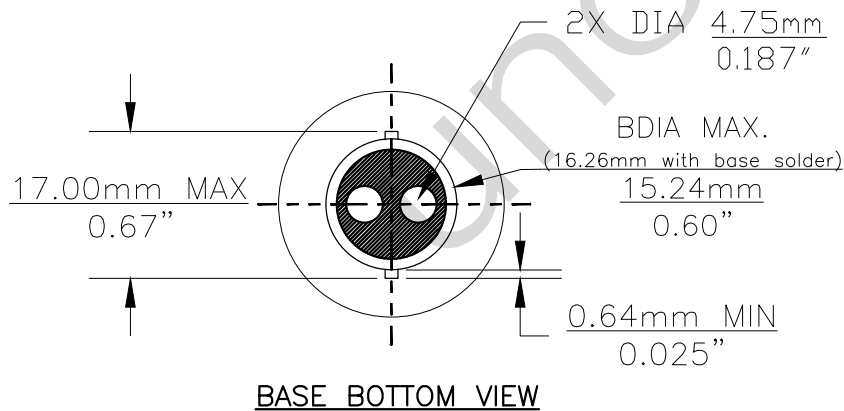
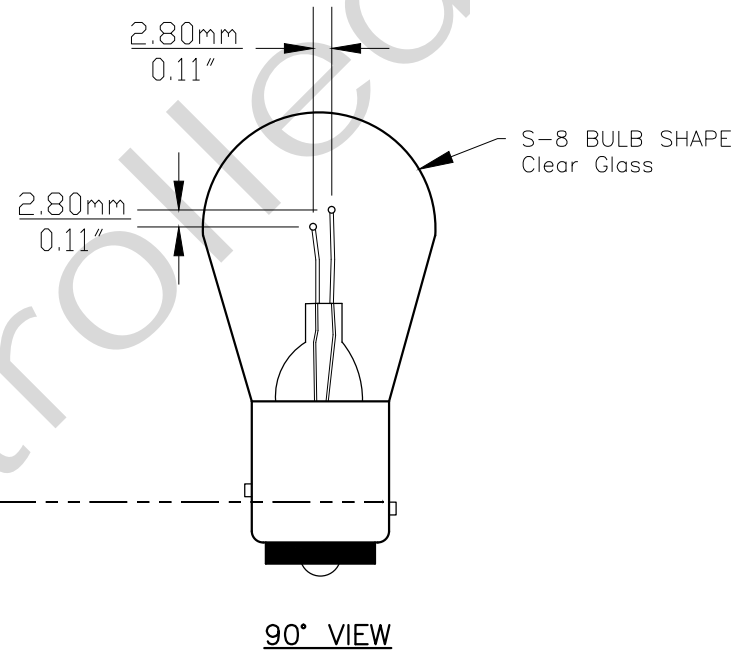
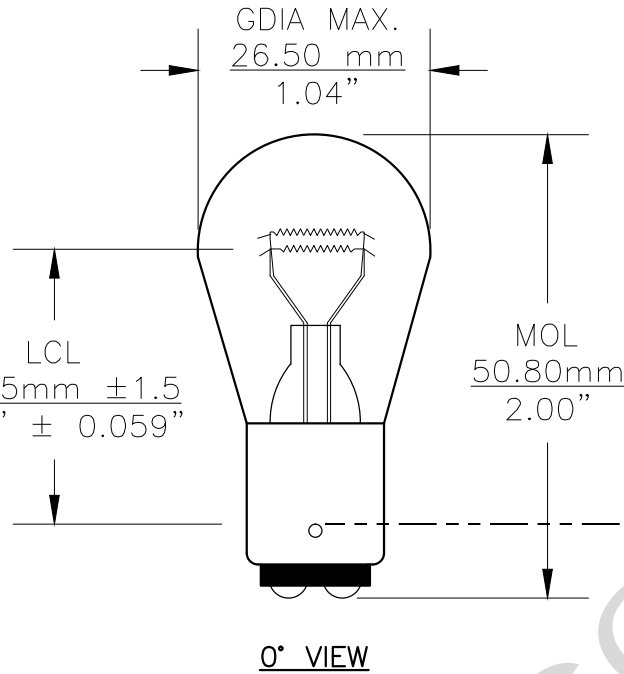




Since 1959

PART NO.	BASE TYPE	DESIGN VOLTS	DESIGN AMPS	MSCD	FILAMENT TYPE	AVERAGE LIFE HOURS	REVISIONS			
							REV #	DESCRIPTION	DATE	APPROVED
1154	D.C. INDEX BAY15d	6.3V 7.0V	2.63±10% 0.75±10%	21±10% 3±10%	C-6 C-6	200/1000	1	ISSUED	05/27/2014	R.M.



Note: Made according to SAE specifications

UNLESS OTHERWISE SPECIFIED: DIMENSIONS ARE IN INCHES TOLERANCES		CEC INDUSTRIES LTD			
DECIMALS	ANGULAR	599 BOND STREET		LINCOLNSHIRE, IL 60069	
.XX ± .05	± 0.5°	TITLE LIGHT BULB NO. 1154			
.XXX ± .010		SIZE A	FSCM NO.	DWG NO. 1154	REV 1
FRACTIONAL	±1/64	DESIGN	SCALE	PLOT SCALE	SHEET 1 OF 1
DRAWN ROSE MEDINA		DATE 05/27/2014		MATERIAL	
CHECKED		FILE 1154.pdf		DRAWING NOT TO SCALE	