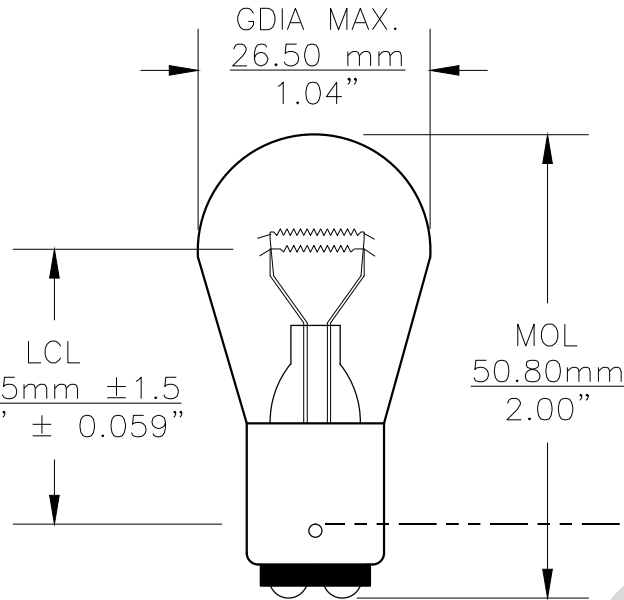


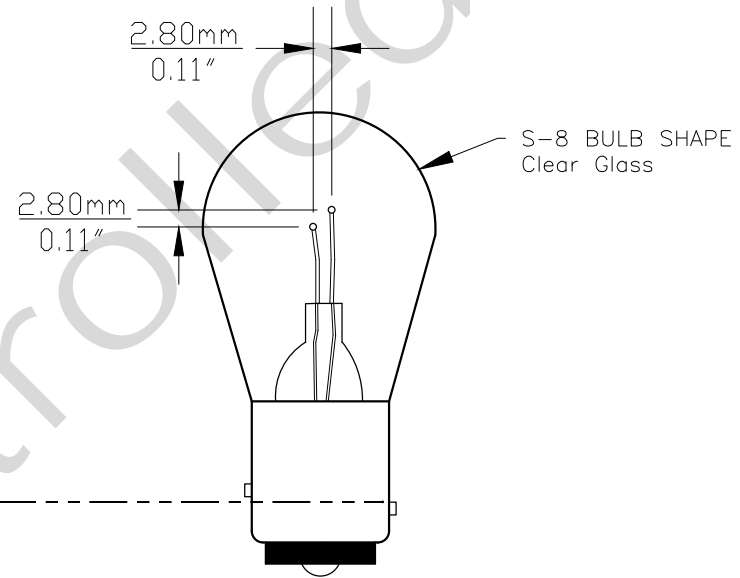


Since 1959

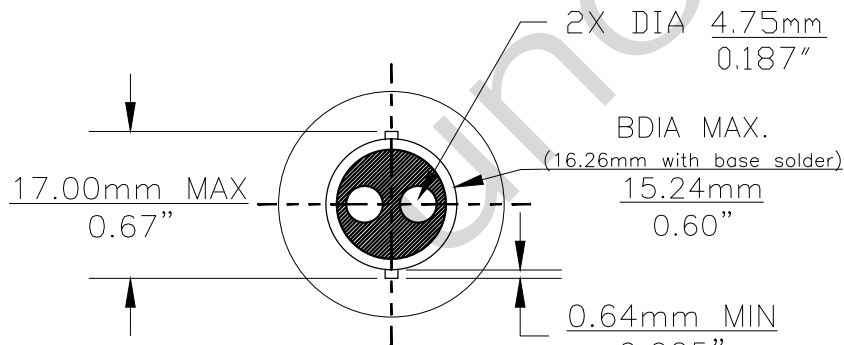
PART NO.	BASE TYPE	DESIGN VOLTS	DESIGN AMPS	MSCD	FILAMENT TYPE	AVERAGE LIFE HOURS	REVISIONS			
							REV #	DESCRIPTION	DATE	APPROVED
1034	D.C. INDEX BAY15d	12.8V 14V	1.8±5% 0.59±8%	32±10% 3±12%	C-6 C-6	200 5000				



0° VIEW



90° VIEW



BASE BOTTOM VIEW



Note: Made according to SAE specifications

UNLESS OTHERWISE SPECIFIED: DIMENSIONS ARE IN INCHES TOLERANCES		CEC INDUSTRIES LTD			
DECIMALS	ANGULAR	599 BOND STREET		LINCOLNSHIRE, IL 60069	
.XX ± .05	± 0.5°	TITLE		LIGHT BULB NO. 1034	
.XXX ± .010		SCALE	FSCM NO.	DWG NO.	REV
FRACTIONAL	±1/64	A		1034	1
DRAWN SIDNEY LIU	DATE 06/19/2009	SHEET		1 OF 1	
CHECKED		PLOT SCALE		DRAWING NOT TO SCALE	
DESIGN		FILE		1034.pdf	
MATERIAL					