



PART NO.

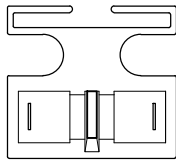
WB-4500C2

BASE TYPE

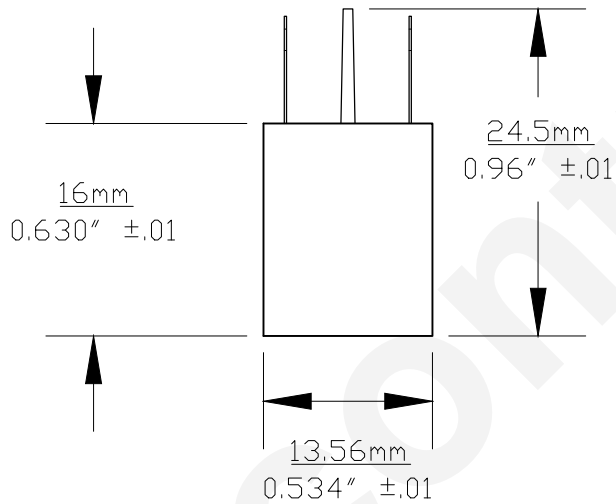
WEDGE SOCKET

REVISIONS

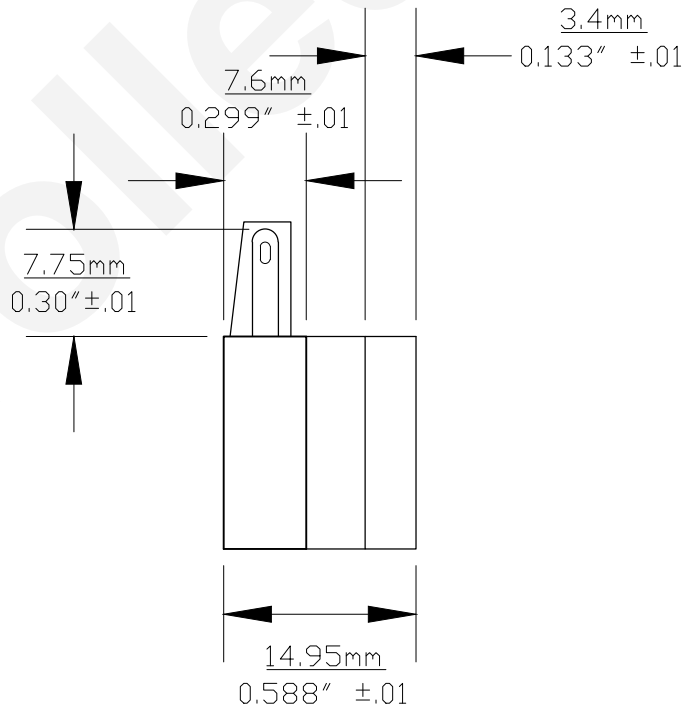
REV #	DESCRIPTION	DATE	APPROVED
1	ISSUED	12/01/2015	R.M.



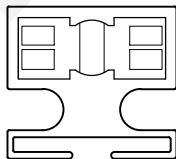
TOP VIEW



0° VIEW



90° VIEW



BOTTOM VIEW

UNLESS OTHERWISE SPECIFIED: DIMENSIONS ARE IN INCHES TOLERANCES				CEC INDUSTRIES LTD			
DECIMALS		ANGULAR		599 BOND STREET		LINCOLNSHIRE, IL 60069	
.XX ± .05		± 0.5°					
.XXX ± .010							
FRACTIONAL		±1/64					
DRAWN ROSE MEDINA	DATE 12/01/2015	TITLE WEDGE SOCKET WB-4500C2					
CHECKED		SIZE A	FSCM NO.	DWG NO. WB-4500C2	REV 1		
DESIGN	SCALE	PLOT SCALE	SHEET 1 OF 1				
MATERIAL	FILE WB-4500C2.pdf	DRAWING NOT TO SCALE					