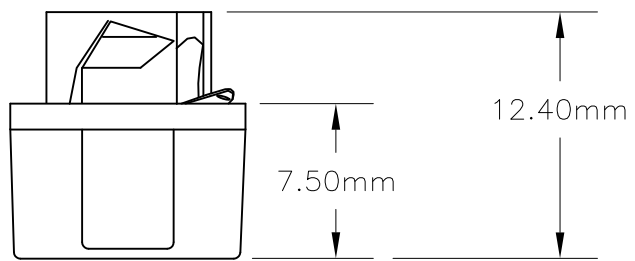
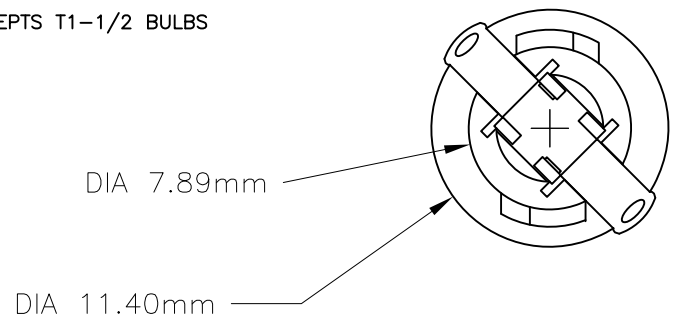


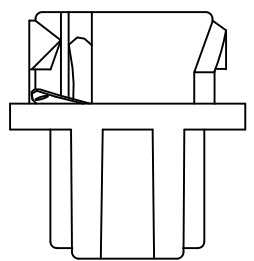
PART NO.	BASE TYPE
T12	PRINTED CIRCUIT

REVISIONS			
REV	DESCRIPTION	DATE	APPROVED
1	ISSUED	03/16/2005	D.C.
2	TOP AND SIDE VIEW, REVISED BULB INSERT ORIENTATION	11/07/2011	D.C.

ACCEPTS T1-1/2 BULBS



FRONT VIEW



SIDE VIEW

UNLESS OTHERWISE SPECIFIED: DIMENSIONS ARE IN INCHES TOLERANCES	
DECIMALS .XX ± .05 .XXX ± .010	ANGULAR ± 0.5° ± 1/64
DRAWN D.C.	DATE 3/16/2005
CHECKED	
DESIGN	
MATERIAL	

CEC INDUSTRIES LTD			
599 BOND STREET		LINCOLNSHIRE, IL 60069	
TITLE PRINTED CIRCUIT SOCKET T12			
DRAWN D.C.	DATE 3/16/2005	SIZE A	REV 2
CHECKED		FSCM NO.	DWG NO. T12
DESIGN		SCALE	PLOT SCALE
MATERIAL	FILE T12.dwg	SHEET 1 OF 1	
DO NOT SCALE DRAWING			