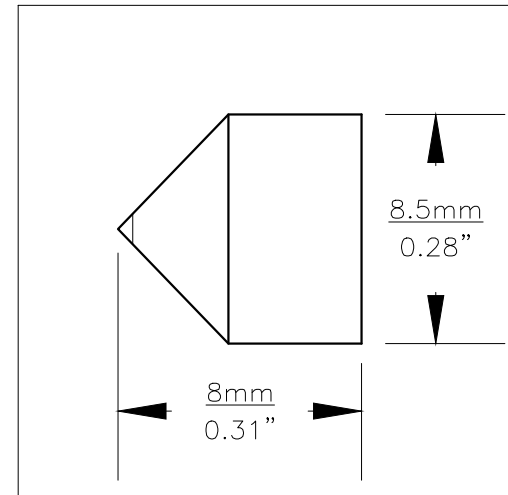
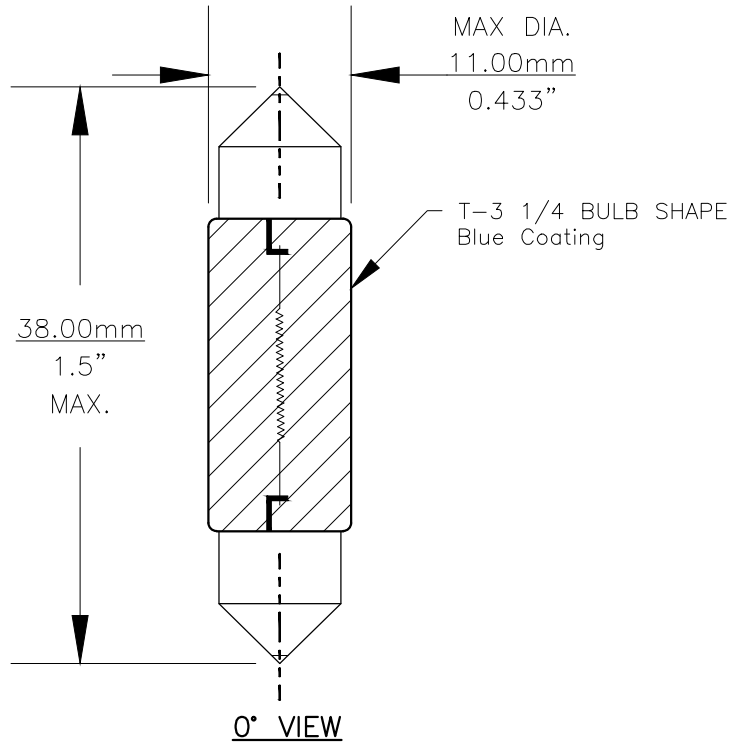


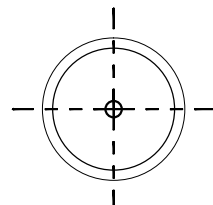


Since 1959

PART NO.	BASE TYPE	DESIGN VOLTS	DESIGN AMPS	MSCD	FILAMENT TYPE	AVERAGE LIFE HOURS	REVISIONS			
							REV #	DESCRIPTION	DATE	APPROVED
HIB6418 WM	FESTOON CAPS (SV8.5-8)	13.5V	0.37 ±10%	3.58 ±20%	C-8	300	1	ISSUED	06/07/2019	R.M.



BASE DIMENSIONS



BASE BOTTOM VIEW



Note: Made according to SAE specifications

UNLESS OTHERWISE SPECIFIED: DIMENSIONS ARE IN INCHES TOLERANCES		CEC INDUSTRIES LTD			
DECIMALS .XX ± .05	ANGULAR ± 0.5°	599 BOND STREET		LINCOLNSHIRE, IL 60069	
.XXX ± .010	FRACTIONAL ± 1/64	TITLE LIGHT BULB NO. HIB6418 WM			
DRAWN ROSE MEDINA	DATE 06/07/2019	SIZE A	FSCM NO.	DWG NO. HIB6418 WM	REV 1
DESIGN	SCALE	PLOT SCALE	SHEET 1	OF 1	
MATERIAL	FILE HIB6418WM.pdf	DRAWING NOT TO SCALE			