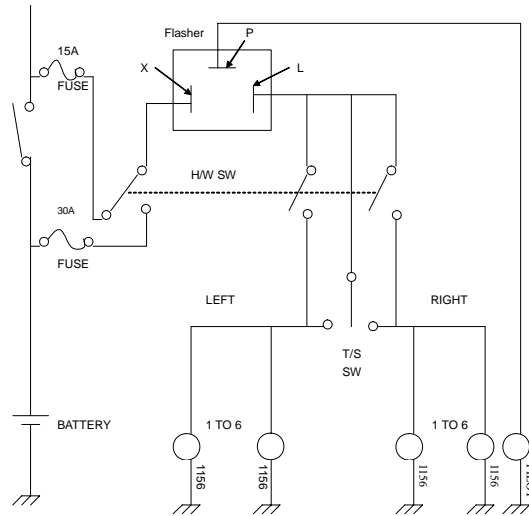


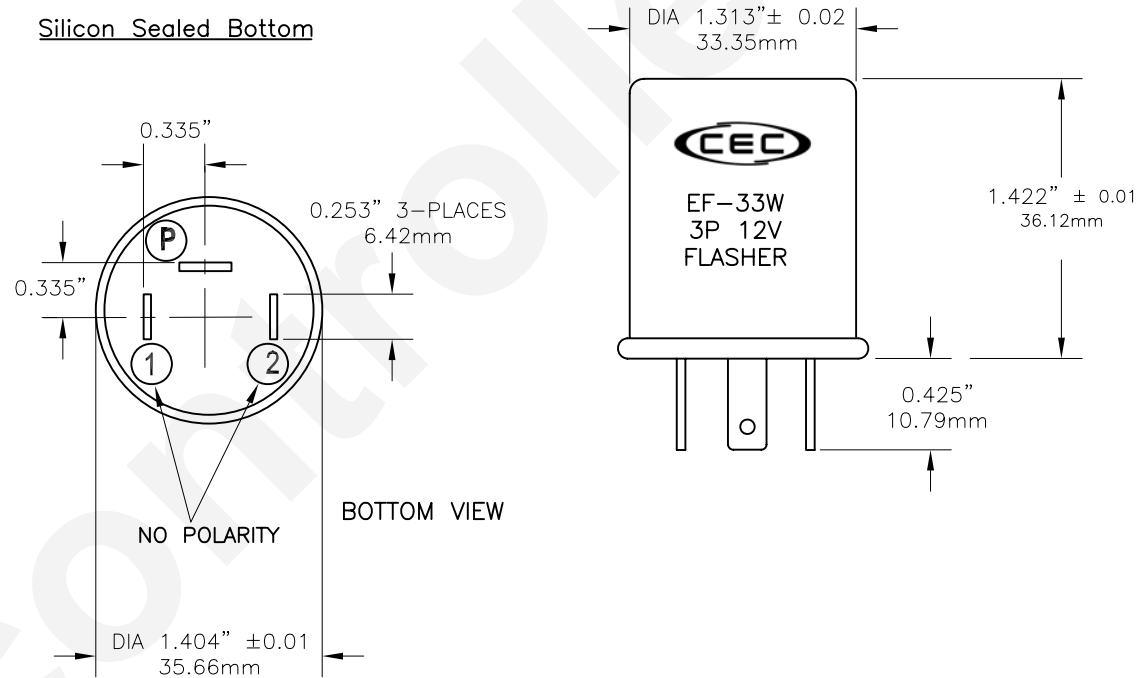
PART NO.	NO. OF TERMINALS	TYPE	STYLE	DESIGN VOLTS
EF33W	3	VARIABLE LOAD, SPECIAL USE	ROUND	12 V

REVISIONS			
REV	Description	Date	Approved
1	Additional electrical specifications added	6/17/2002	A.S.
2	No polarity and silicon sealed bottom	09/22/2003	A.S.
3	Redrawn	09/19/2005	D.C.

EF33W CIRCUIT DIAGRAM



Silicon Sealed Bottom



Specifications: For Use in 12 Volt Battery powered Vehicles Only.

Shell Construction: Plastic

Rated Load: 6.5 to 15 Volts DC.

Rated Amperage: 2 to 5 amp. DC.

Lamp Rating: No. 1156 2.10 Amps at 12.8 Volts

No. 1895 0.27 Amps at 14.0 Volts

Temperature Operating Range: -25°F to 140°F

Voltage Drop at Rated Current: 500 mv

Time to First Flash: Less than 1.5 seconds.

Flash Rate over Temperature Range: 60 to 120 Flash Per Minute

Duty Cycle: 35% to 75%

Electrical Source:

30 amps. Fused circuit recommended.

Either 1 or 2 Terminal = Load (Lamp Output)

Either 1 or 2 Terminal = Battery (Power Input)

P Terminal = Pilot Lamp.

UNLESS OTHERWISE SPECIFIED:
DIMENSIONS ARE IN INCHES
TOLERANCES

DECIMALS	ANGULAR
.XX ± .05	± 0.5°
.XXX ± .010	
FRACTIONAL	± 1/64

DRAWN	DATE
Anna Soloveychik	05/23/02

CHECKED

DESIGN

MATERIAL

CEC INDUSTRIES LTD

599 BOND STREET

LINCOLNSHIRE IL 60069

TITLE

ELECTRONIC FLASHER EF33 W

SIZE

A

FSCM NO.

DWG NO.

FLASHER EF33W

REV

3

SCALE 100%

PLOT SCALE

SHEET 1 OF 1

FILE
EF33W.DWG

DO NOT SCALE DRAWING