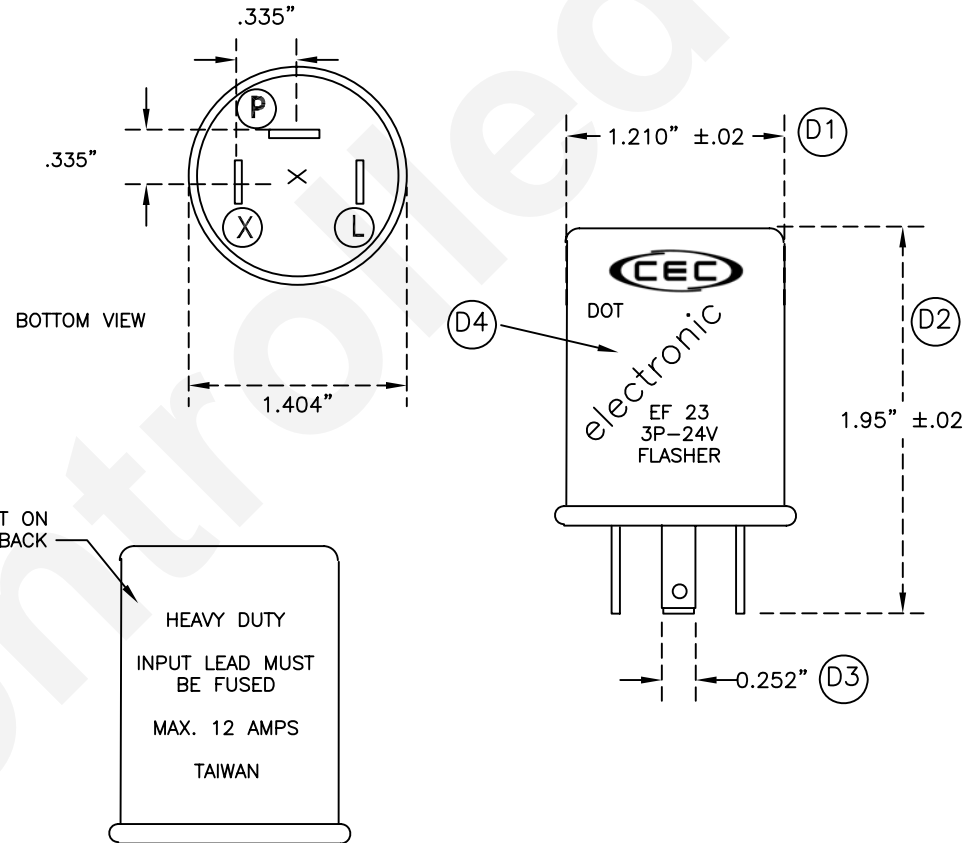
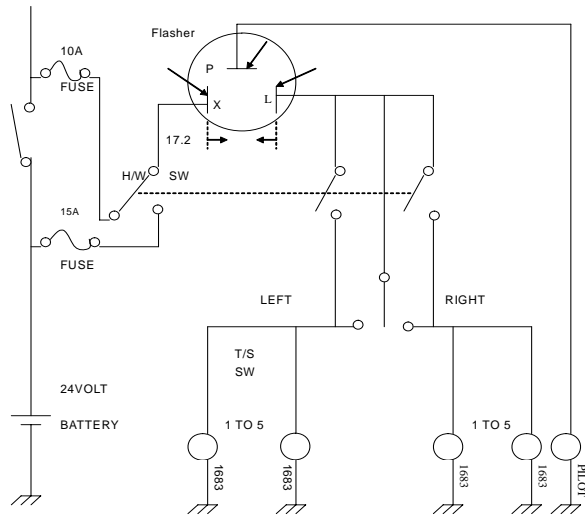


PART NO.	NO. OF TERMINALS	TYPE	STYLE	Volt Capacity
EF23	3	Variable Load	Round	24 V

REVISIONS			
REV	DESCRIPTION	DATE	APPROVED
B	ADDITIONAL ELECTRICAL SPECIFICATIONS ADDED	6/17/2002	S.L.
C	MEASUREMENT POINT ADDED	04/16/2007	S.L.
D	BACK MARKING	01/23/2008	D.C.

### EF23 CIRCUIT DIAGRAM



**Specifications:** FMVSS108, SAE J590 & J945 1690 Class A  
**Shell Construction:** Plastic  
**Rated Load:** Variable Load 1 or 10 SAE Number 1683 Lamps

**Lamp Ratings:** No. 1683 1.02 Amps. At 24.0 Volts  
 No. 1895 0.27 Amps At 14.0 Volts

**Temperature Operating Range:** -25°F to 140° F

**Rated Voltage:** 22 to 30 Volts DC.

128° F 22 to 30 Volts

78° F 24.0 Volts

0° F 22 to 30 Volts

**Voltage Drop at Rated Current:** 500 mv

**Time to First Flash:** Less than 1.5 seconds.

**Flash Rate over Temperature Range:** 60 to 120 Flash Per Minute

**Duty Cycle:** 35% to 75%

**Electrical Source:**

15 amps. Fused circuit recommended.

L Terminal = Load (Lamp Output)

X Terminal = Battery (Power Input)

P Terminal = Pilot Lamp

UNLESS OTHERWISE SPECIFIED: DIMENSIONS ARE IN INCHES TOLERANCES		CEC INDUSTRIES LTD		
DECIMALS .XX ± .05 .XXX ± .010 FRACTIONAL ± 1/64		599 Bond Street		Lincolnshire, IL 60069
ANGULAR ± 0.5°		TITLE ELECTRONIC FLASHER EF23		
DRAWN Anna Soloveychik	DATE 11/01/02	SIZE A	FSCM NO.	DWG NO. FLASHER EF23
CHECKED		SCALE	PLOT SCALE	SHEET 1 OF 1
DESIGN		FILE EF23.DWG	DO NOT SCALE DRAWING	
MATERIAL				