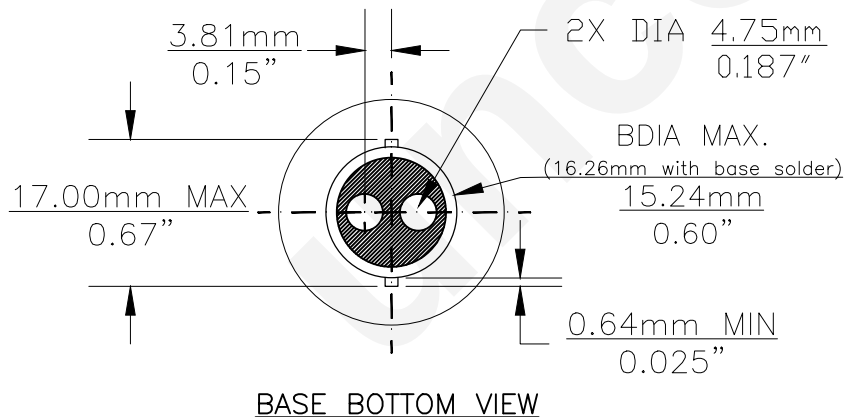
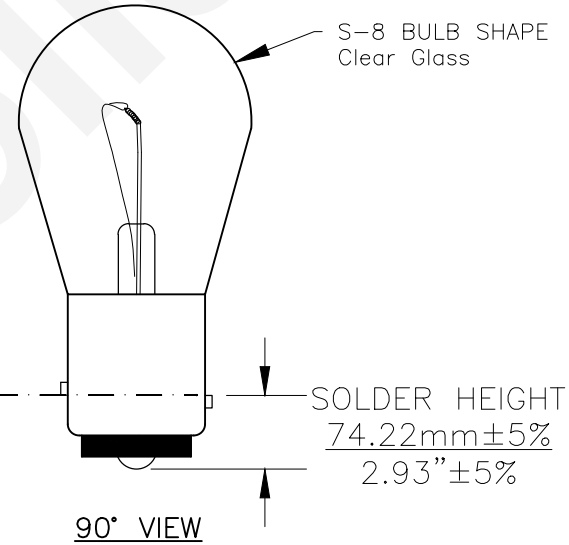
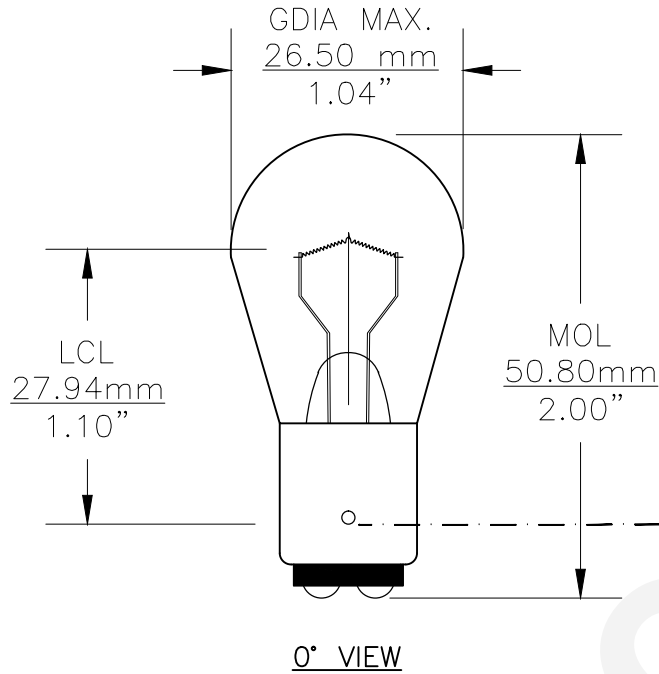




PART NO.	BASE TYPE	DESIGN VOLTS	DESIGN AMPS	MSCD	FILAMENT TYPE	AVERAGE LIFE HOURS	REVISIONS			
							REV #	DESCRIPTION	DATE	APPROVED
CE4	D.C. INDEX BAY15d (Nickel)	48V	0.52±5%	--	C-2V	300	1	REDRAWN	10/22/2014	R.M.



UNLESS OTHERWISE SPECIFIED:  
DIMENSIONS ARE IN INCHES  
TOLERANCES  
DECIMALS ANGULAR  
.XX ± .05 ± 0.5°  
.XXX ± .010  
FRACTIONAL ± 1/64

CEC INDUSTRIES LTD

599 BOND STREET

LINCOLNSHIRE, IL 60069

DRAWN DENNIS CLARK	DATE 12/22/2004	TITLE LIGHT BULB NO. CE4			
CHECKED	SIZE A	FSCM NO.	DWG NO. CE4	REV 1	
DESIGN	SCALE	PLOT SCALE	SHEET 1 OF 1		
MATERIAL	FILE CE4.pdf	DRAWING NOT TO SCALE			