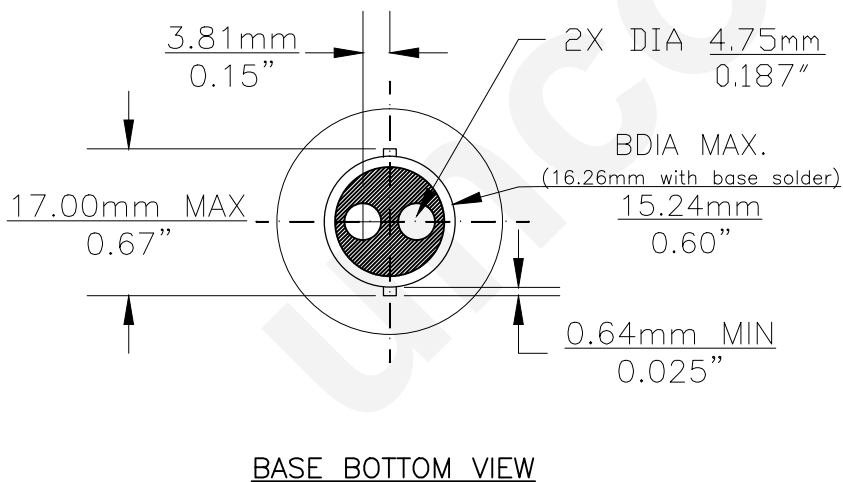
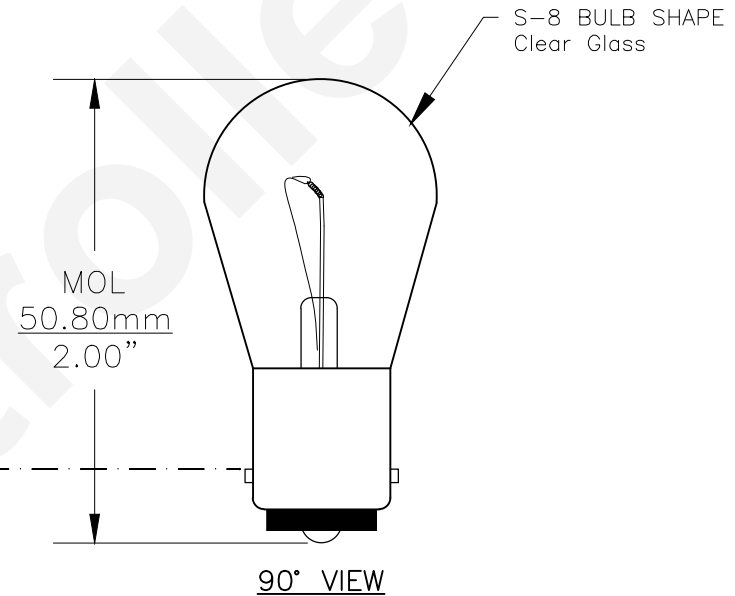
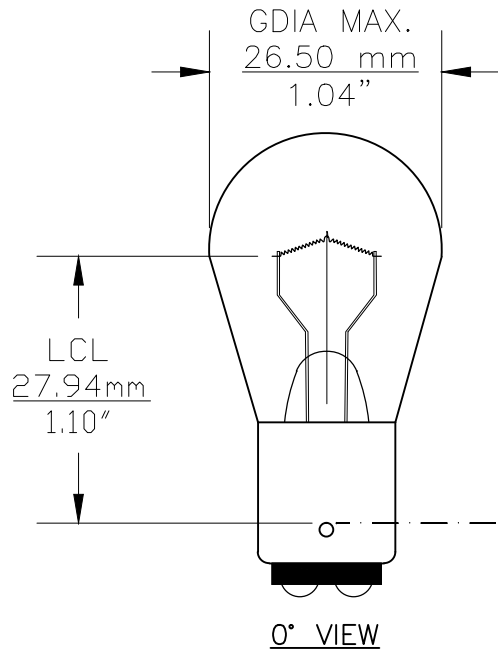




PART NO.	BASE TYPE	DESIGN VOLTS	DESIGN AMPS	MSCD	FILAMENT TYPE	AVERAGE LIFE HOURS	REVISIONS			
							REV #	DESCRIPTION	DATE	APPROVED
CE14	D.C. BAYONET (BA15d) (Nickel)	48.0V	0.20	--	C-2V	300	1	NEW TEMPLATE	04/29/2016	R.M.



UNLESS OTHERWISE SPECIFIED: DIMENSIONS ARE IN INCHES TOLERANCES		CEC INDUSTRIES LTD			
DECIMALS	ANGULAR	599 BOND STREET		LINCOLNSHIRE, IL 60069	
.XX ± .05	± 0.5°	TITLE LIGHT BULB NO. CE14			
.XXX ± .010		DATE 12/22/2004		REV 1	
FRACTIONAL	± 1/64	CHECKED	SIZE A	FSCM NO.	DWG NO. CE14
DRAWN DENNIS CLARK		DESIGN	SCALE	PLOT SCALE	SHEET 1 OF 1
MATERIAL		FILE CE14.pdf	DRAWING NOT TO SCALE		