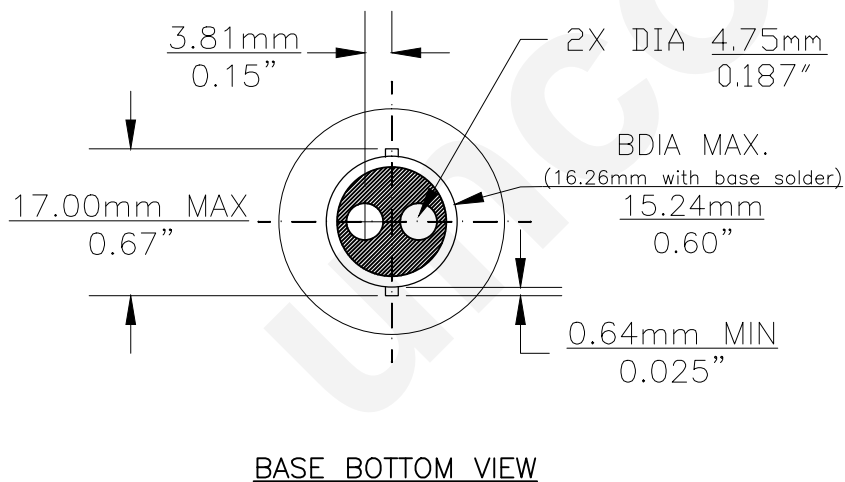
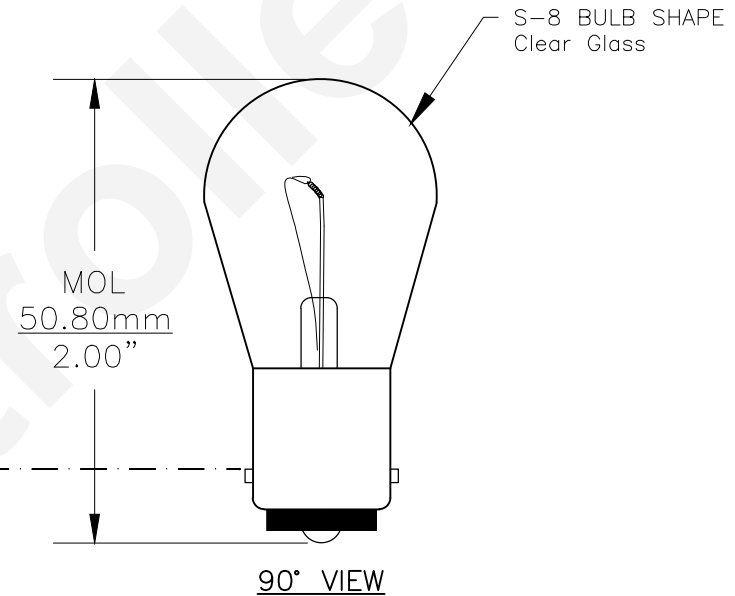
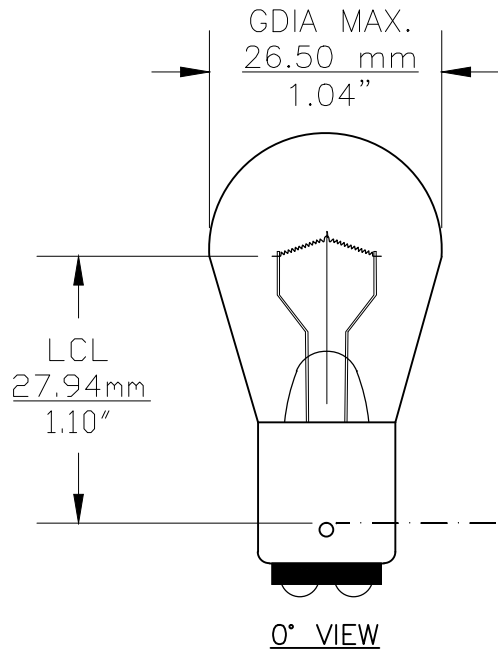




PART NO.	BASE TYPE	DESIGN VOLTS	DESIGN AMPS	MSCD	FILAMENT TYPE	AVERAGE LIFE HOURS	REVISIONS			
							REV #	DESCRIPTION	DATE	APPROVED
CE13	D.C. BAYONET (BA15d) (Nickel)	36.0V	0.25	--	C-2V	300	1	NEW TEMPLATE	04/29/2016	R.M.



UNLESS OTHERWISE SPECIFIED: DIMENSIONS ARE IN INCHES TOLERANCES		CEC INDUSTRIES LTD			
DECIMALS .XX ± .05	ANGULAR ± 0.5°	599 BOND STREET		LINCOLNSHIRE, IL 60069	
.XXX ± .010	FRACTIONAL ± 1/64	TITLE LIGHT BULB NO. CE13			
DRAWN DENNIS CLARK	DATE 12/22/2004	SIZE A	FSCM NO.	DWG NO. CE13	REV 1
DESIGN	SCALE	PLOT SCALE	SHEET 1 OF 1		
MATERIAL	FILE CE13.pdf	DRAWING NOT TO SCALE			