

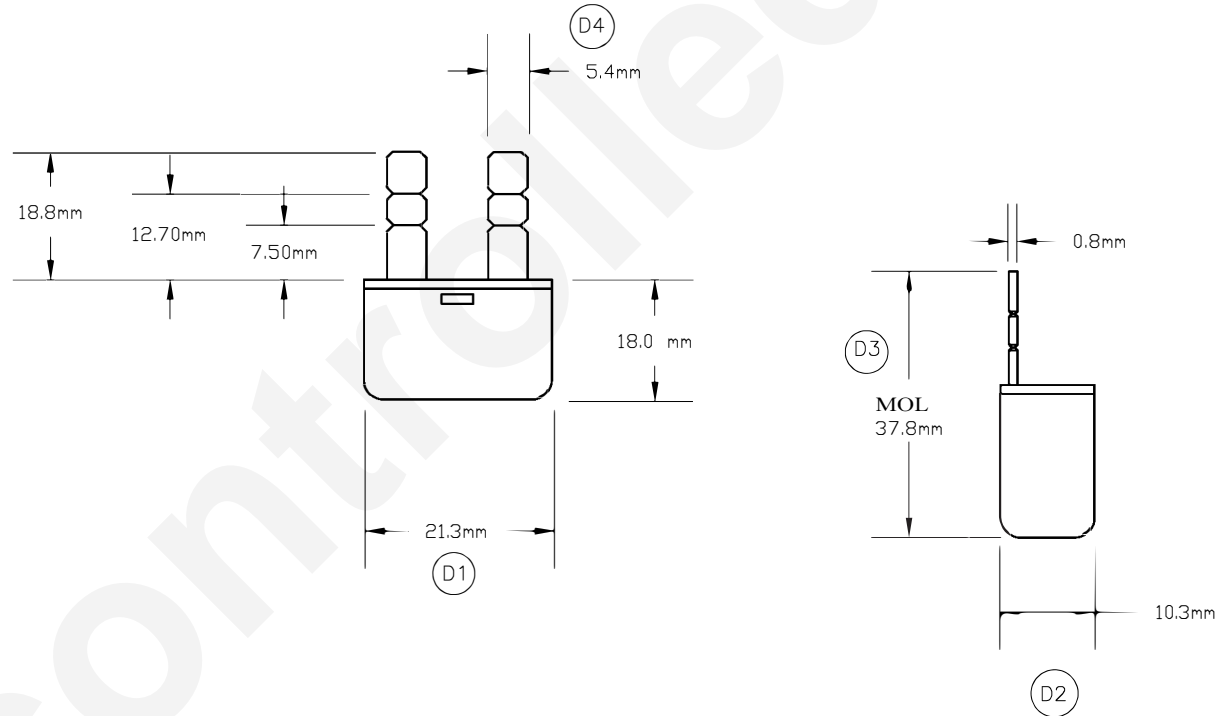
PART NO.	VOLTS	AMPS
CB155-10	6-12	10
CB155-15	6-12	15
CB155-20	6-12	20
CB155-25	6-12	25
CB155-30	6-12	30
CB155-40	6-12	40

Terminals are grooved for snap off adjustment with pliers

REV	REVISIONS DESCRIPTION	DATE	APPROVED
1	ISSUED	02/06/2002	A.S.
2	REDRAW AND ADDITIONAL SPECIFICATIONS	10/19/2007	S.L.
3	NOTE: TYPE 1 CIRCUIT BREAKER, REMOVED 35 & 50A	08/08/2008	D.C.
4	REVISED VOLTAGE RATING	06/25/2013	D.C.
5	D1 21.4MM to 21.3MM 18.7MM to 18.8MM	09/05/2017	R.M.
6	D2 10.4MM to 10.3MM D3 37.2MM to 37.8MM	09/05/2017	R.M.

TYPE 1 CIRCUIT BREAKER

Complies with SAE Standard J553



Characteristics:

1. Load (10, 15, 20, 25, 30, 40) Amperes
2. Voltage 6-12 Volts.
3. Voltage Drop is less than 150 MV at Rated Current
4. Operation:
 - A. Will not open. No Load at 240° F (116° C)
 - B. Time to Open @ 135% Rated Current: 30 Minutes Maximum
 - C. Time to Open @ 200% Rated Current: 60 Seconds Maximum.
 - D. Hold 100% rated current for a minimum of 30 minutes.

UNLESS OTHERWISE SPECIFIED: DIMENSIONS ARE IN INCHES TOLERANCES		CEC INDUSTRIES LTD			
		599 BOND STREET		LINCOLNSHIRE, IL 60069	
		TITLE			
		CIRCUIT BREAKER NO. CB155			
DRAWN Anna Soloviyshnik	DATE 02/06/02	SIZE A	FSCM NO. 9303 FCB	DWG NO. CB155	REV. 6
CHECKED		SCALE	PLOT SCALE	SHEET 1 OF 1	
DESIGN		MATERIAL	FILE CB155.dwg	DO NOT SCALE DRAWING	