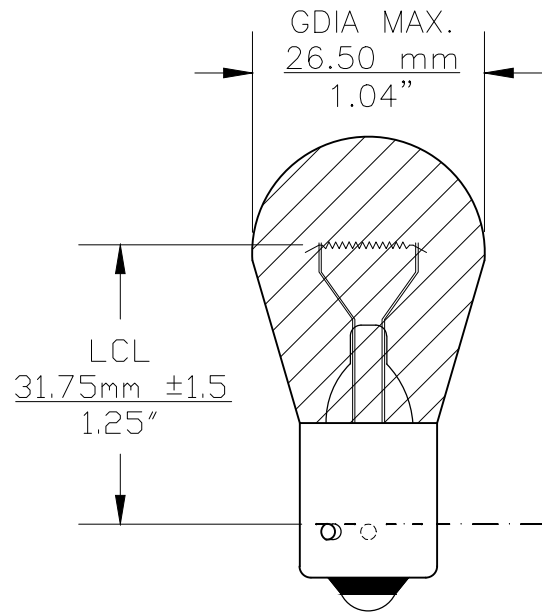


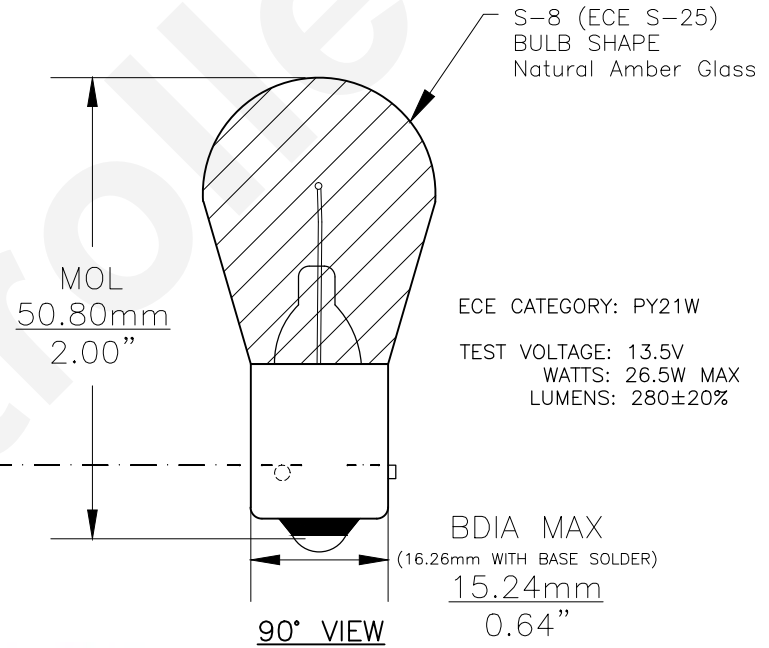


PART NO.	BASE TYPE	DESIGN VOLTS	DESIGN AMPS	MSCD	FILAMENT TYPE	AVERAGE LIFE HOURS
7507	S.C. BAYONET (BAU15s)	12.8V	1.75±10%	22 ±15%	C-6	150

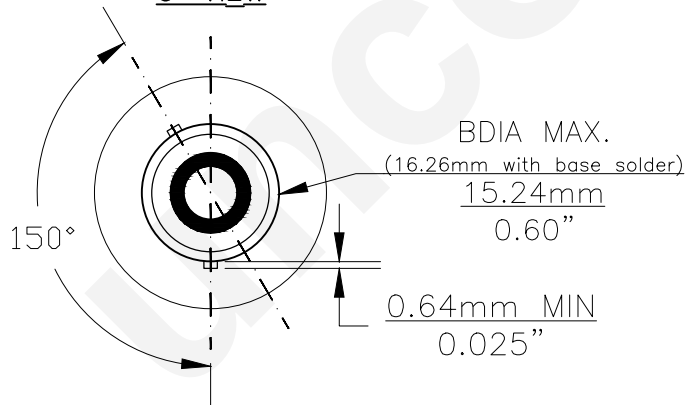
REVISIONS			
REV #	DESCRIPTION	DATE	APPROVED
1	ISSUED	03/17/2010	D.C.



0° VIEW



90° VIEW



BASE BOTTOM VIEW

REFERENCE PLANE



Note: Made according to ECE/R37 specifications

UNLESS OTHERWISE SPECIFIED: DIMENSIONS ARE IN INCHES TOLERANCES		CEC INDUSTRIES LTD	
DECIMALS .XX ± .05	ANGULAR .XXX ± .010	599 BOND STREET	LINCOLNSHIRE, IL 60069
FRACTIONAL ±1/64		TITLE LIGHT BULB NO. 7507 (PY21W NA 12V)	
DRAWN D. C.	DATE 03/17/2010	SIZE A	FSCM NO. 7507
CHECKED	DESIGN	DWG NO. 7507	REV 1
MATERIAL	SCALE	PLOT SCALE	SHEET 1 OF 1
	FILE 7507.pdf	DRAWING NOT TO SCALE	