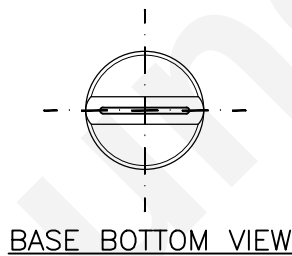
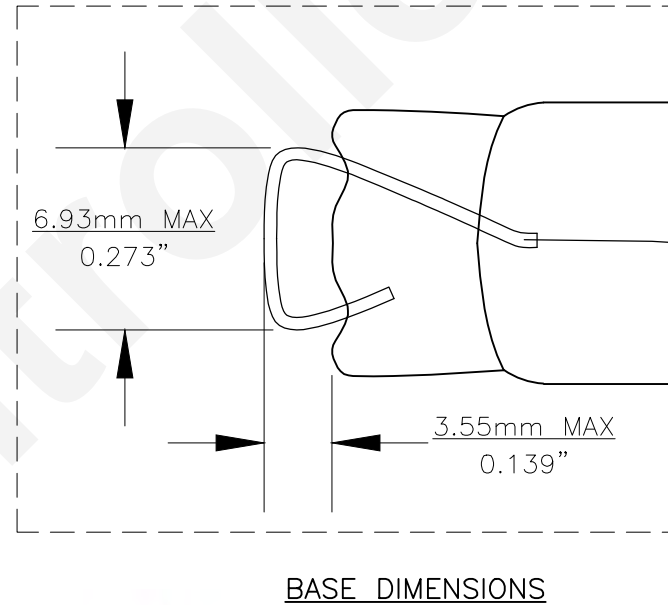
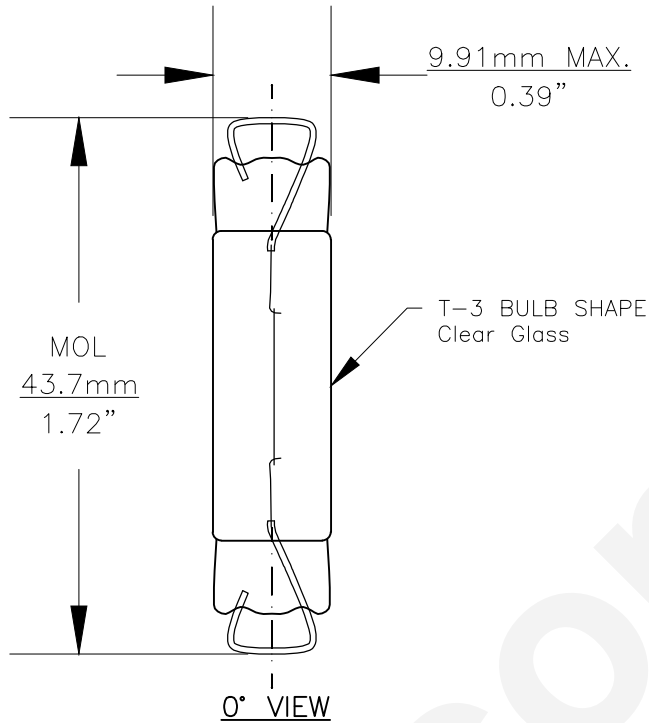




PART NO.	BASE TYPE	DESIGN VOLTS	DESIGN AMPS	MSCD	FILAMENT TYPE	AVERAGE LIFE HOURS
562	RIGID LOOP	13.5V	0.74±10%	6 ±20%	C-8	2000

REVISIONS			
REV #	DESCRIPTION	DATE	APPROVED
1	ISSUED	07/23/2002	A.S.
2	UPDATED ELECTRICAL SPECS.	06/10/2013	D.C.
3	ADDITIONAL VIEWS	04/05/2016	R.M.

DESIGN WATTS: 10W



Note: Made according to SAE specifications

UNLESS OTHERWISE SPECIFIED: DIMENSIONS ARE IN INCHES TOLERANCES		CEC INDUSTRIES LTD			
DECIMALS .XX ± .05	ANGULAR ± 0.5°	599 BOND STREET		LINCOLNSHIRE, IL 60069	
.XXX ± .010	FRACTIONAL ± 1/64	TITLE LIGHT BULB NO. 562			
DRAWN ANNA SOLOVEYCHIK	DATE 07/23/2002	SIZE A	FSCM NO.	DWG NO. 562	REV 3
CHECKED	DESIGN	SCALE	PLOT SCALE	SHEET 1 OF 1	
MATERIAL	FILE 562.pdf	DRAWING NOT TO SCALE			