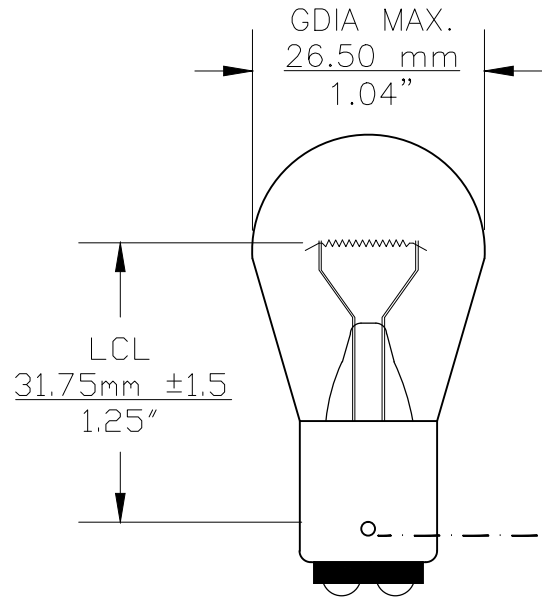


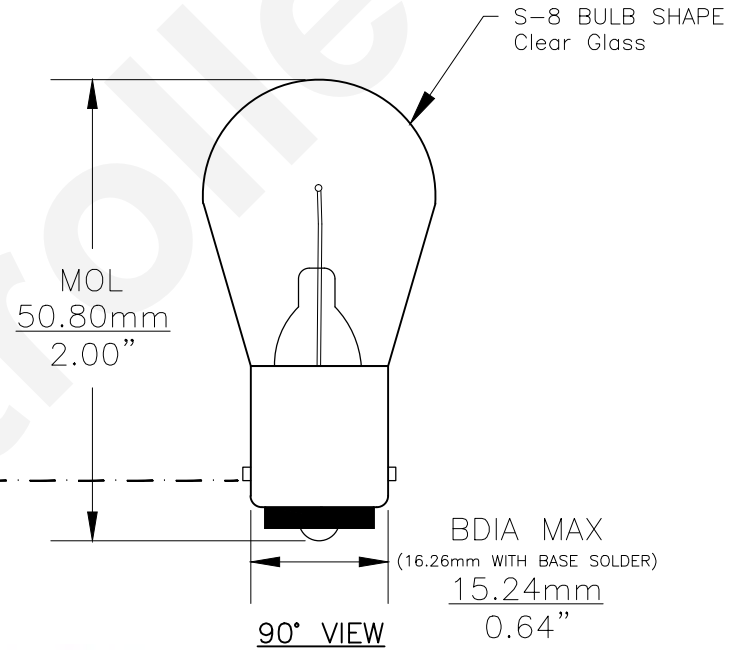


PART NO.	BASE TYPE	DESIGN VOLTS	DESIGN AMPS	MSCD	FILAMENT TYPE	AVERAGE LIFE HOURS
4S8DC/6V	D.C. BAYONET (BA15d)	6.0V	0.67±10%	NOT AVAILABLE	C-6	17

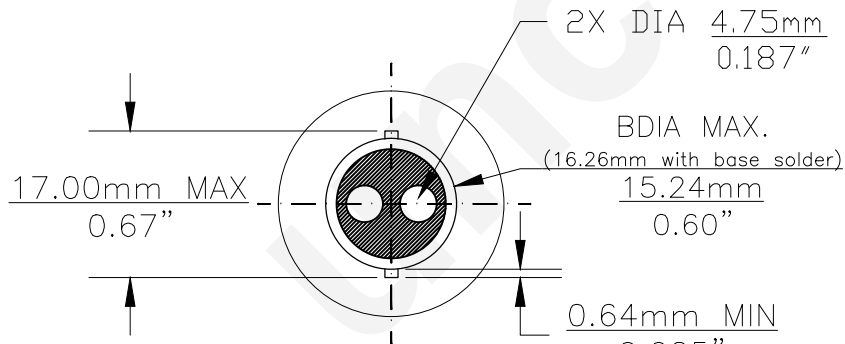
REVISIONS			
REV #	DESCRIPTION	DATE	APPROVED
1	ISSUED	10/23/2014	R.M.



0° VIEW



90° VIEW



BASE BOTTOM VIEW



Note: Made according to SAE specifications

UNLESS OTHERWISE SPECIFIED: DIMENSIONS ARE IN INCHES TOLERANCES		CEC INDUSTRIES LTD	
DECIMALS .XX ± .05	ANGULAR .XXX ± .010	599 BOND STREET	LINCOLNSHIRE, IL 60069
FRACTIONAL ±1/64		TITLE LIGHT BULB NO. 4S8DC/6V	
DRAWN ROSE MEDINA	DATE 10/23/2014	SIZE A	FSCM NO. 4S8DC-6V
CHECKED		DWG NO.	REV 1
DESIGN	SCALE	PLOT SCALE	SHEET 1 OF 1
MATERIAL	FILE 4S8DC-6V.pdf	DRAWING NOT TO SCALE	