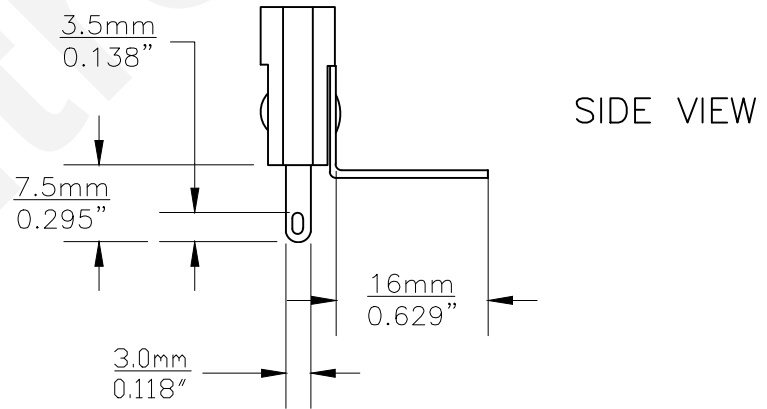
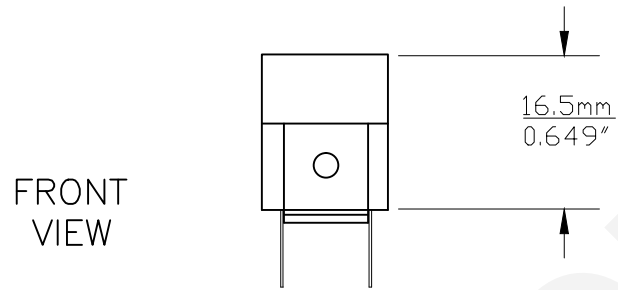
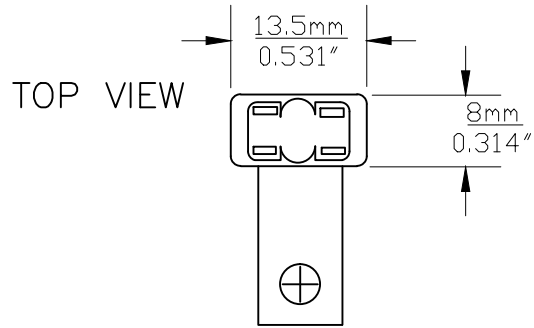


PART NO.	BASE TYPE
4087-1	WEDGE BASE SOCKET

REVISIONS				
ZONE	REV	DESCRIPTION	DATE	APPROVED



MATERIAL CHART		
COMPONENT	MATERIAL/FINISH	QTY
HOUSING	NYLON 6/6-BLACK	1
BRACKET	.015 THK. C.R.S-ZINC PLATE	1
RIVET	NICKLE PLATED	1

UNLESS OTHERWISE SPECIFIED:  
DIMENSIONS ARE IN INCHES  
TOLERANCES

DECIMALS	ANGULAR
.XX ± .05	± 0.5°
.XXX ± .010	
FRACTIONAL	± 1/64

DRAWN D. CLARK	DATE 03/01/2005
CHECKED	
DESIGN	
MATERIAL	

CEC INDUSTRIES LTD		599 BOND STREET		LINCOLNSHIRE, IL 60069	
TITLE WEDGE BASE SOCKET 4087-1					
SIZE	FSCM NO.	DWG NO.	REV		
		4087-1	1		
SCALE	PLOT SCALE	SHEET 1 OF 1			
FILE 4087-1.dwg	DO NOT SCALE DRAWING				