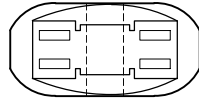


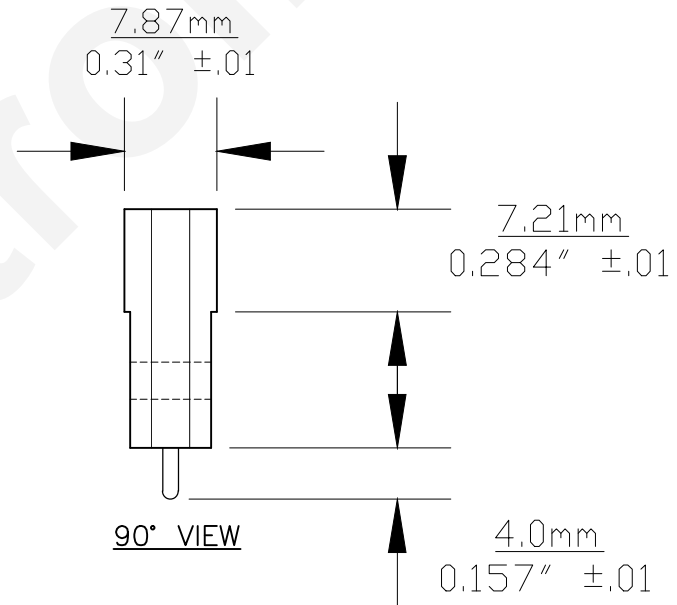
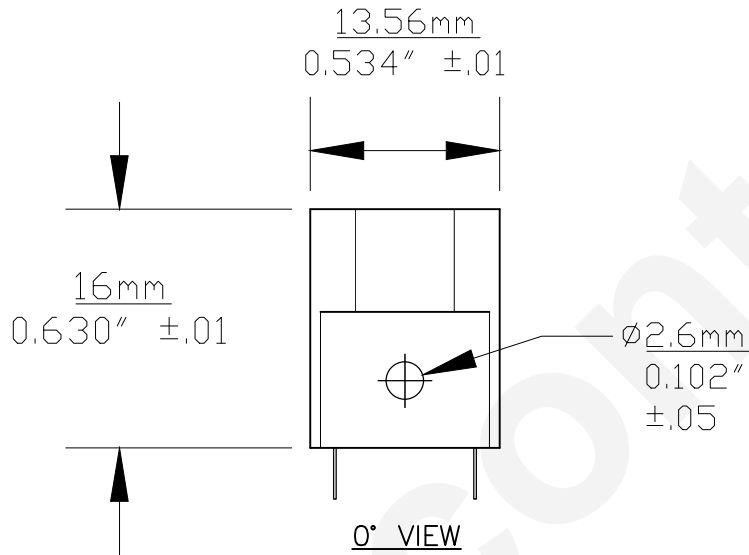


PART NO.	BASE TYPE
4087-0	WEDGE BASE SOCKET

REVISIONS			
REV #	DESCRIPTION	DATE	APPROVED
1	ADDED SPECIFICATIONS	01/12/2005	S.L.
2	ROHS COMPLIANT	03/07/2008	S.L.



TOP VIEW



* LEAD FREE, RoHS COMPLIANT

UNLESS OTHERWISE SPECIFIED: DIMENSIONS ARE IN INCHES TOLERANCES		CEC INDUSTRIES LTD			
DECIMALS .XX ± .05 .XXX ± .010 FRACTIONAL ±1/64		ANGULAR ± 0.5° ±1/64		599 BOND STREET LINCOLNSHIRE, IL 60069	
DRAWN MARIA M VARGAS	DATE 11/17/1998	TITLE WEDGE BASE SOCKET 4087-0			
CHECKED		SIZE A	FSCM NO.	DWG NO. 4087-0	REV 2
DESIGN		SCALE	PLOT SCALE	SHEET 1 OF 1	
MATERIAL		FILE 4087-0.pdf	DRAWING NOT TO SCALE		