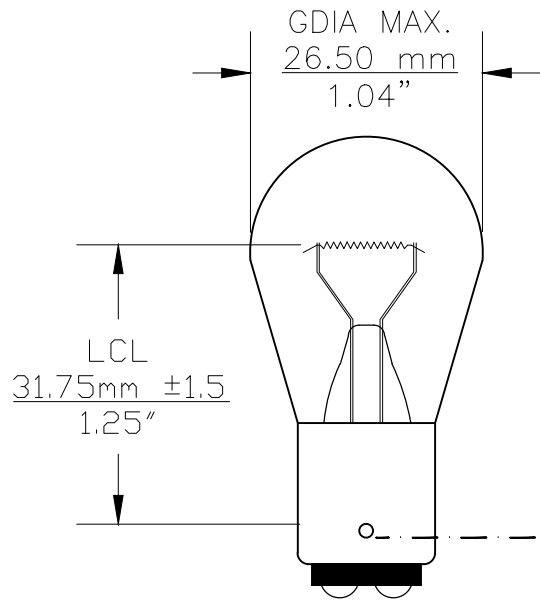
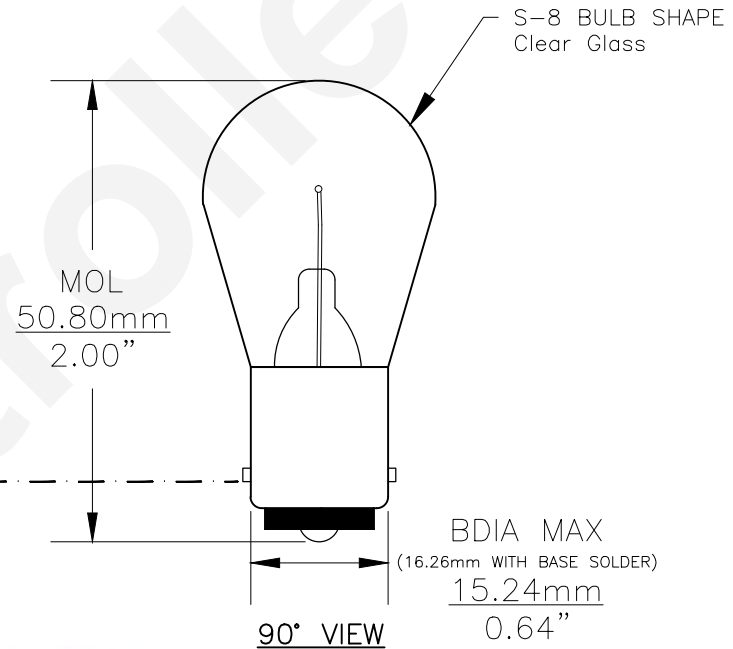




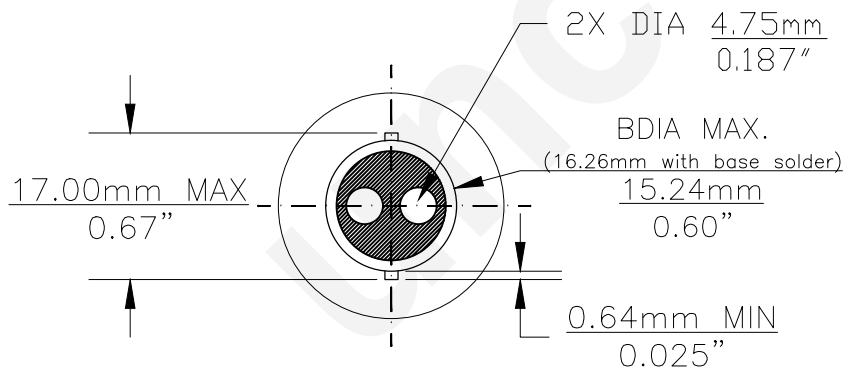
PART NO.	BASE TYPE	DESIGN VOLTS	DESIGN AMPS	MSCD	FILAMENT TYPE	AVERAGE LIFE HOURS	REVISIONS			
							REV #	DESCRIPTION	DATE	APPROVED
1493	D.C. BAYONET (BA15d)	6.5V	2.75±10%	23±15%	C-6	100	1	ISSUED	10/23/2014	R.M.



0° VIEW



90° VIEW



BASE BOTTOM VIEW



Note: Made according to SAE specifications

UNLESS OTHERWISE SPECIFIED: DIMENSIONS ARE IN INCHES TOLERANCES		CEC INDUSTRIES LTD			
DECIMALS	ANGULAR	599 BOND STREET		LINCOLNSHIRE, IL 60069	
.XX ± .05	± 0.5°	TITLE LIGHT BULB NO. 1493			
.XXX ± .010	± 1/64	CHECKED	DATE	SCALE	FSCM NO.
FRACTIONAL	± 1/64	ROSE MEDINA	10/23/2014	1493	DWG NO.
		DESIGN	SCALE	PLOT SCALE	SHEET 1 OF 1
		MATERIAL	FILE	DRAWING NOT TO SCALE	
			1493.pdf		