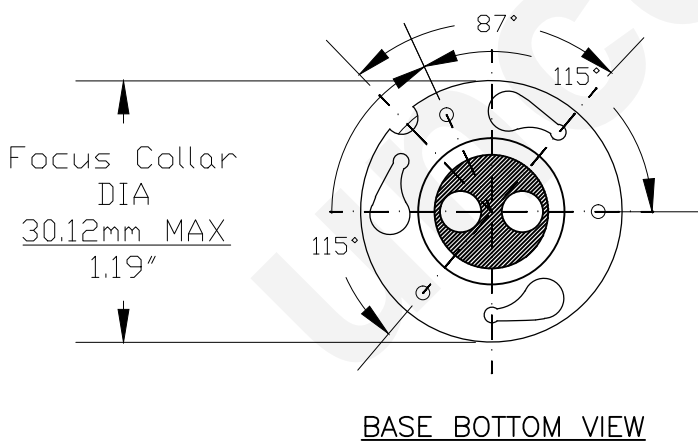
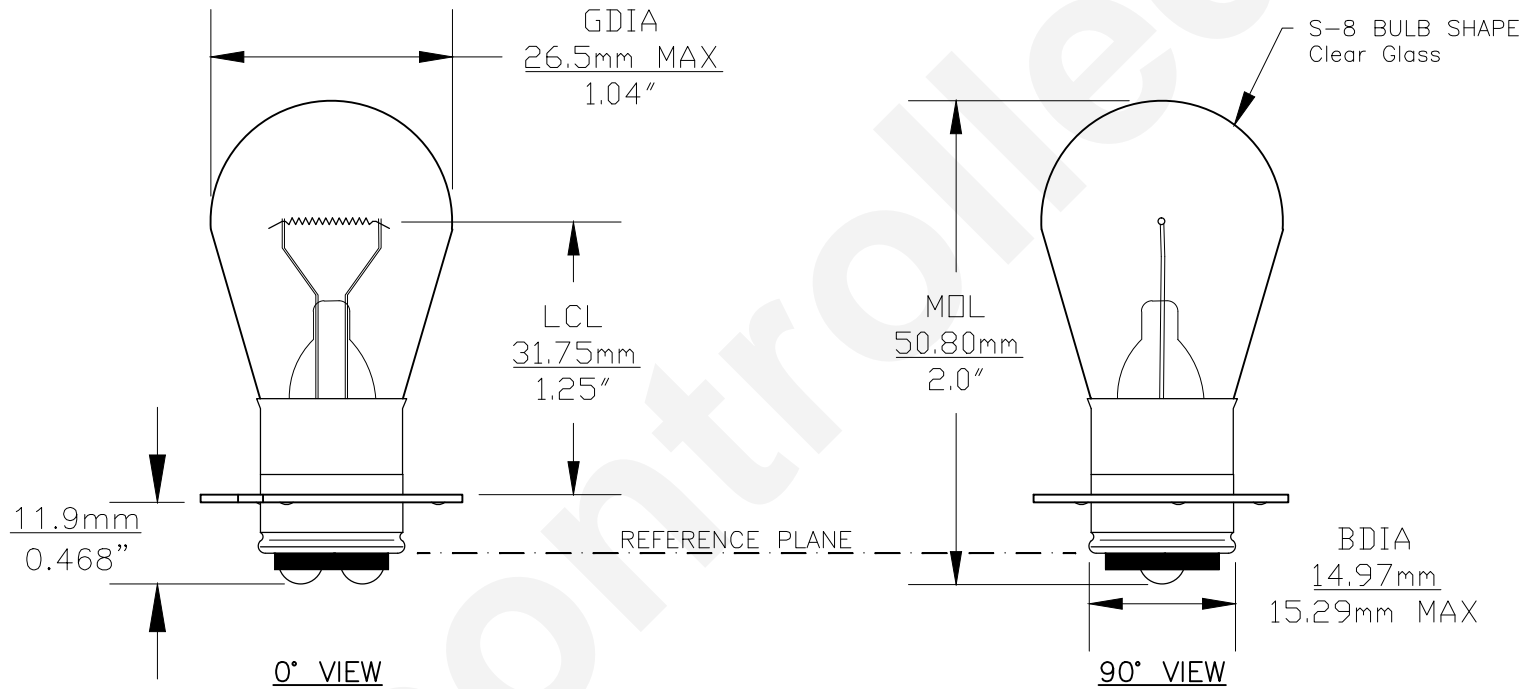




Since 1959

PART NO.	BASE TYPE	DESIGN VOLTS	DESIGN AMPS	MSCD	FILAMENT TYPE	AVERAGE LIFE HOURS	REVISIONS			
							REV #	DESCRIPTION	DATE	APPROVED
1460	D.C. Prefocus A (P15d30A)	6.5V	2.75±15%	23.0±30%	C-6	100	1	ISSUED	11/06/2014	R.M.



Note: Made according to SAE specifications



UNLESS OTHERWISE SPECIFIED: DIMENSIONS ARE IN INCHES TOLERANCES		CEC INDUSTRIES LTD			
DECIMALS	ANGULAR	599 BOND STREET		LINCOLNSHIRE, IL 60069	
.XX ± .05	± 0.5°	TITLE		LIGHT BULB NO. 1460	
.XXX ± .010		SIZE	FSCM NO.	DWG NO.	REV
FRACTIONAL	± 1/64	A		1460	1
DRAWN	DATE	DESIGN	SCALE	PLOT SCALE	SHEET
ROSE MEDINA	11/06/2014				1 OF 1
CHECKED		MATERIAL	FILE	DRAWING NOT TO SCALE	
			1460.pdf		