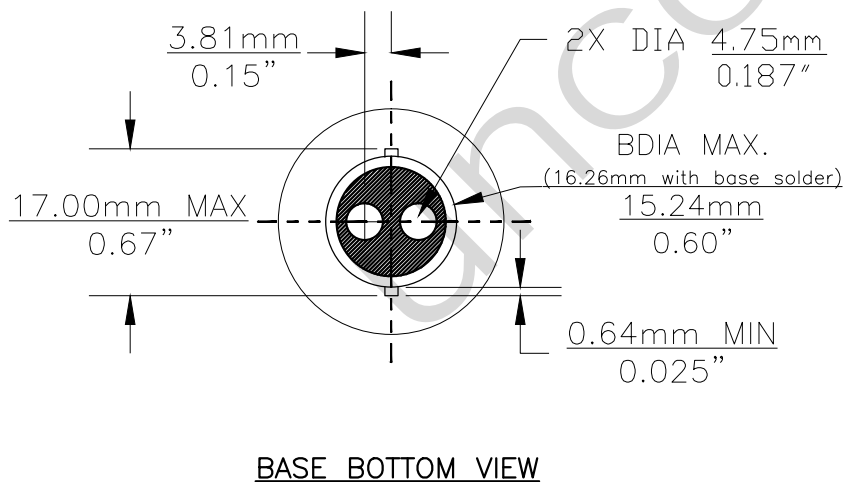
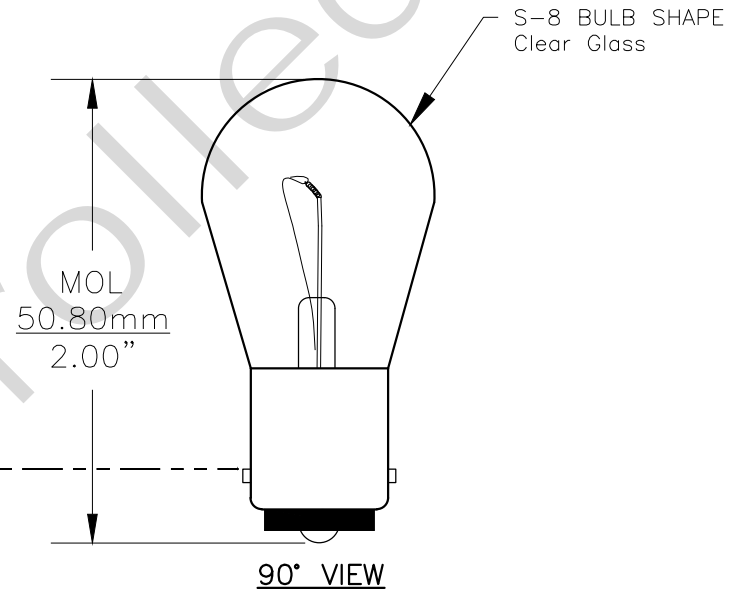
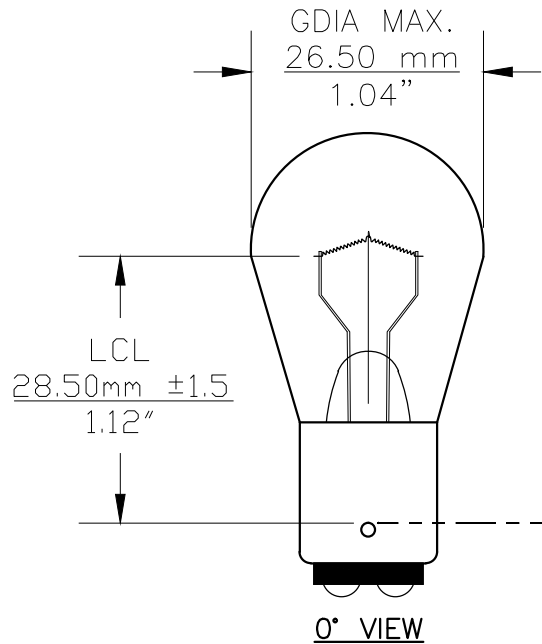




PART NO.	BASE TYPE	DESIGN VOLTS	DESIGN AMPS	MSCD	FILAMENT TYPE	AVERAGE LIFE HOURS	REVISIONS			
							REV #	DESCRIPTION	DATE	APPROVED
1229	D.C. BAYONET (BA15d)	40.0V	0.38±10%	15±15%	C-2V	400	1	ISSUED	10/24/2014	R.M.
							2	REVISED VOLTS, LIFE HRS AND AMPS	02/02/2023	M.L.



Note: Made according to SAE specifications

UNLESS OTHERWISE SPECIFIED: DIMENSIONS ARE IN INCHES TOLERANCES		CEC INDUSTRIES LTD			
DECIMALS .XX ± .05		599 BOND STREET		LINCOLNSHIRE, IL 60069	
ANGULAR .XXX ± .010		TITLE LIGHT BULB NO. 1229			
FRACTIONAL ±1/64		DATE 10/24/2014	SIZE A	DWG NO. 1229	REV 2
DRAWN ROSE MEDINA	CHECKED	SCALE	PLOT SCALE	SHEET 1 OF 1	
MATERIAL	FILE 1229.pdf	DRAWING NOT TO SCALE			