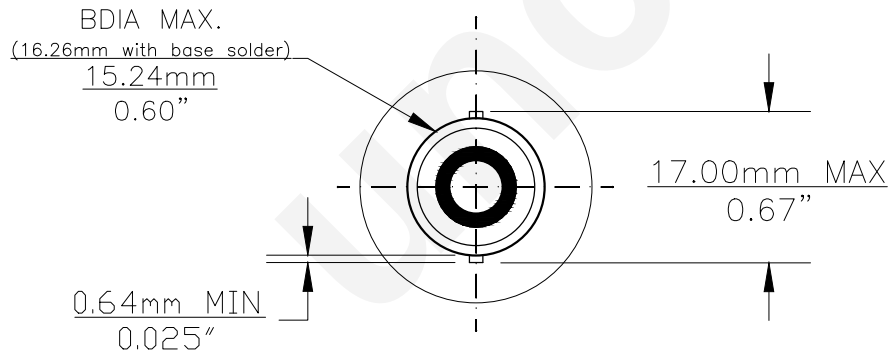
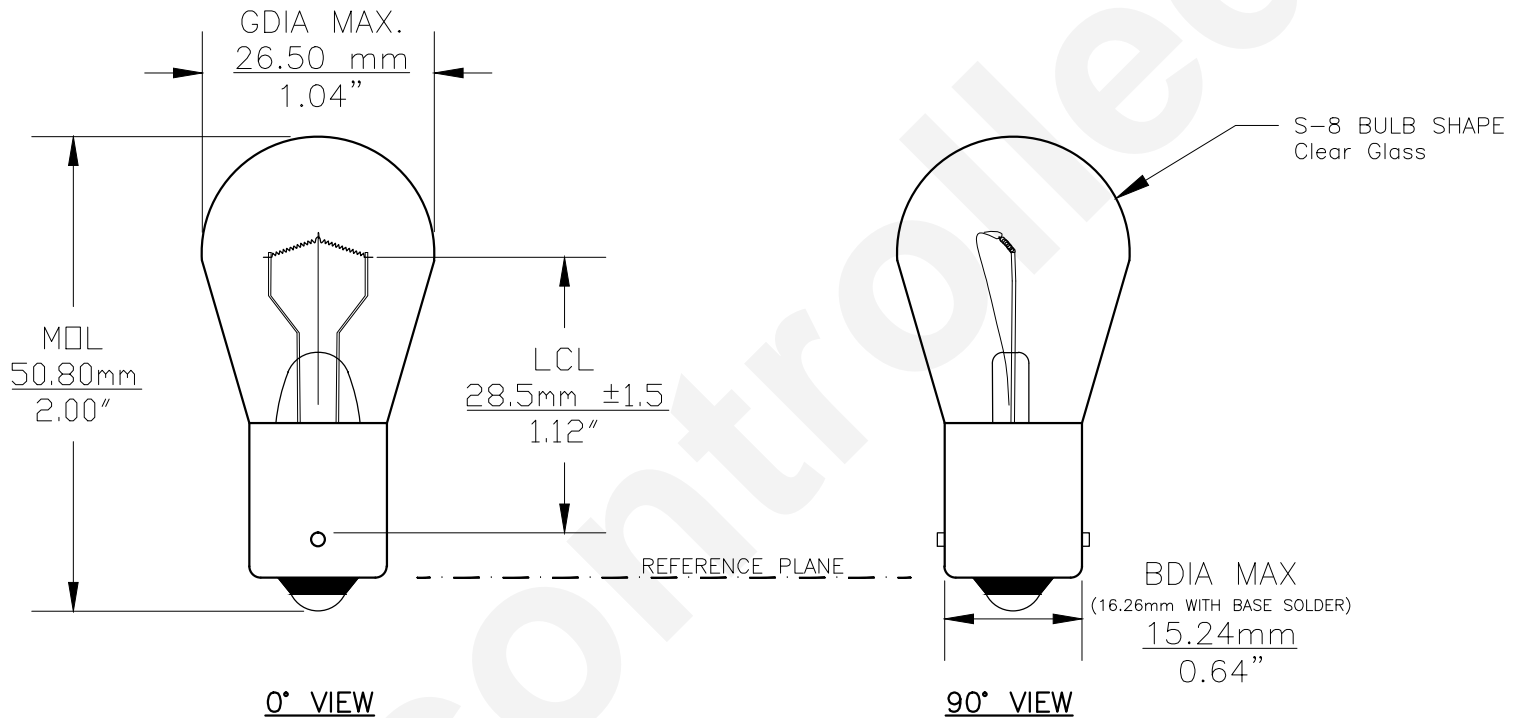




PART NO.	BASE TYPE	DESIGN VOLTS	DESIGN AMPS	MSCD	FILAMENT TYPE	AVERAGE LIFE HOURS	REVISIONS			
							REV #	DESCRIPTION	DATE	APPROVED
1203	S.C. Bayonet (BA15s)	28.0V	0.71±5%	21±10%	C-2V	400	1	ISSUED	10/22/2014	R.M.



Note: Made according to SAE specifications



UNLESS OTHERWISE SPECIFIED: DIMENSIONS ARE IN INCHES TOLERANCES		CEC INDUSTRIES LTD			
DECIMALS	ANGULAR	599 BOND STREET		LINCOLNSHIRE, IL 60069	
.XX ± .05	± 0.5°	TITLE		LIGHT BULB NO. 1203	
.XXX ± .010		SCALE	FSCM NO.	DWG NO.	REV
FRACTIONAL	±1/64	A		1203	1
DRAWN	DATE	SHEET		1 OF 1	
ROSE MEDINA	10/22/2014				
CHECKED		FILE		DRAWING NOT TO SCALE	
DESIGN		1203.pdf			
MATERIAL					