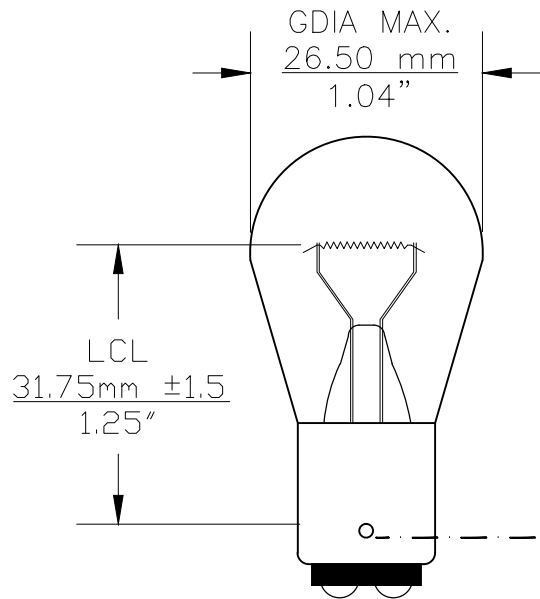
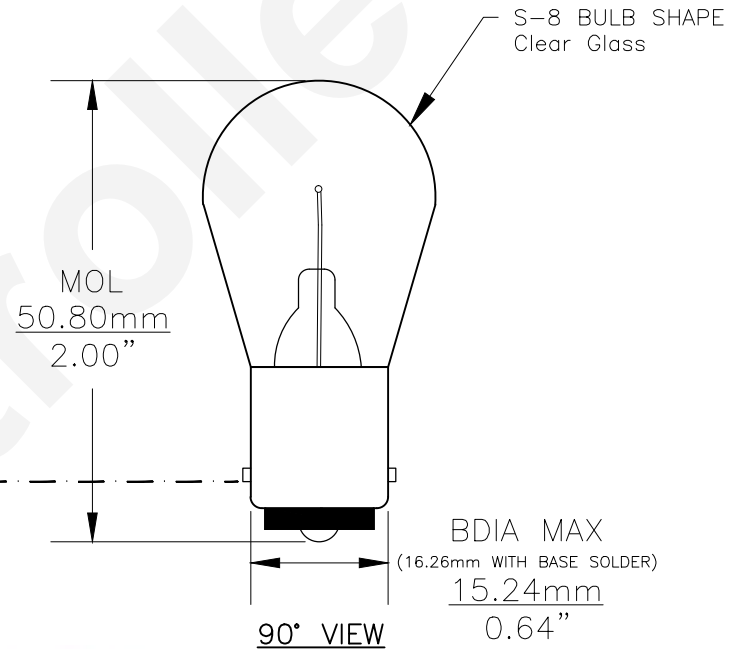




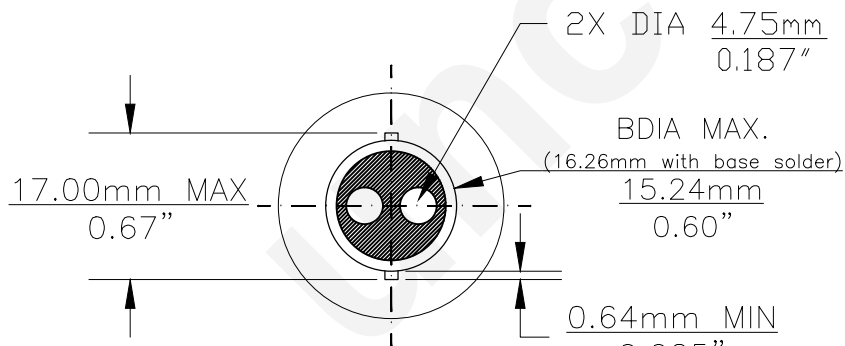
PART NO.	BASE TYPE	DESIGN VOLTS	DESIGN AMPS	MSCD	FILAMENT TYPE	AVERAGE LIFE HOURS	REVISIONS			
							REV #	DESCRIPTION	DATE	APPROVED
1130	D.C. BAYONET (BA15d)	6.4V	2.63±10%	21±20%	C-6	200	1	ISSUED	10/29/2008	D.C.
							2	REDRAWN FOR ADDITIONAL VIEWS	10/23/2014	R.M.



0° VIEW



90° VIEW



BASE BOTTOM VIEW



Note: Made according to SAE specifications

UNLESS OTHERWISE SPECIFIED: DIMENSIONS ARE IN INCHES TOLERANCES		CEC INDUSTRIES LTD			
DECIMALS .XX ± .05	ANGULAR ± 0.5°	599 BOND STREET		LINCOLNSHIRE, IL 60069	
.XXX ± .010	FRACTIONAL ± 1/64	TITLE LIGHT BULB NO. 1130			
DRAWN D.C.	DATE 10/29/2008	SIZE A	FSCM NO.	DWG NO. 1130	REV 2
CHECKED	DESIGN	SCALE	PLOT SCALE	SHEET 1 OF 1	
MATERIAL	FILE 1130.pdf	DRAWING NOT TO SCALE			